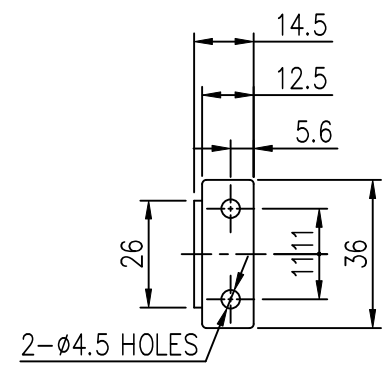
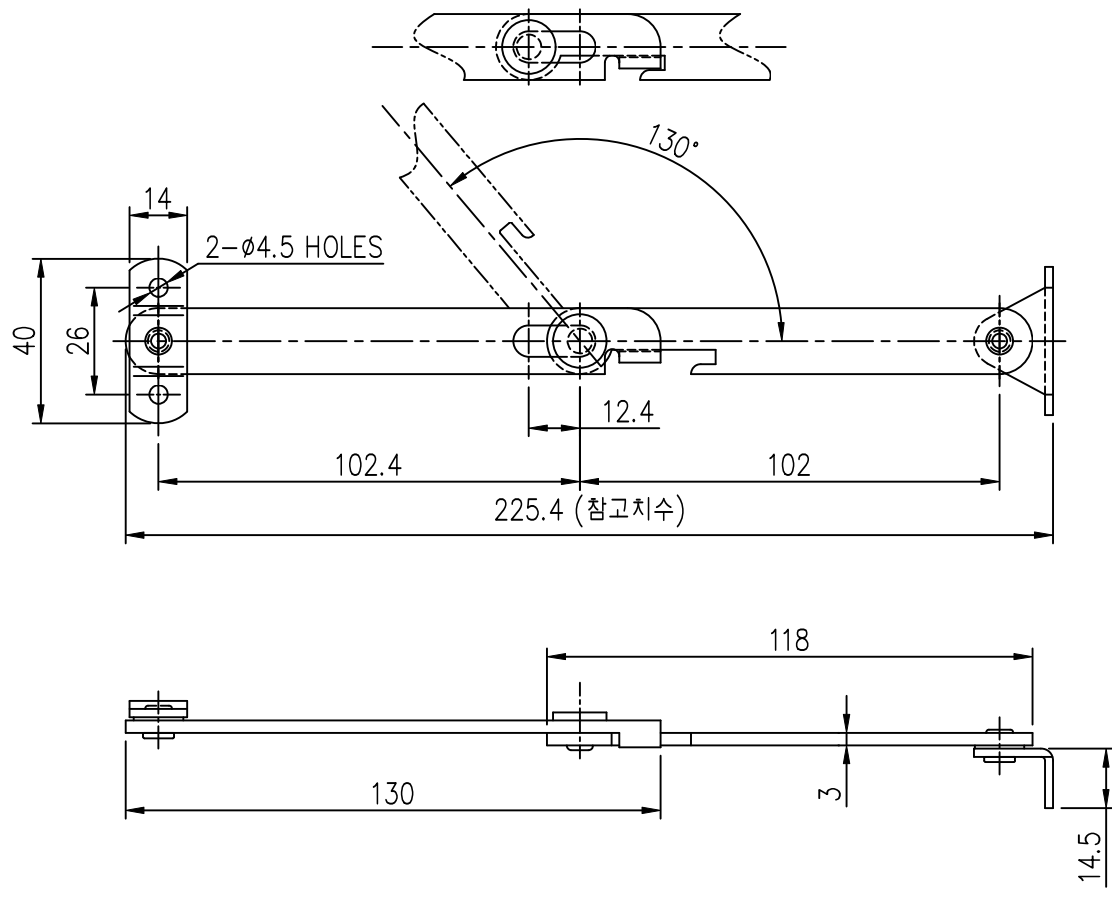


| MARK | DATE | DETAIL OF REVISION | CHECK | APP. |
|------|------|--------------------|-------|------|
| | | | | |

ST-6



GENERAL TOLERANCE

| 수량 | A LEVEL | B LEVEL | C LEVEL |
|----------|---------|---------|---------|
| 1-4 | ±0.07 | ±0.10 | ±0.12 |
| 4-6 | ±0.07 | ±0.20 | ±0.25 |
| 16-63 | ±0.10 | ±0.30 | ±0.50 |
| 63-250 | ±0.15 | ±0.55 | ±1.00 |
| 250-500 | ±0.30 | ±0.90 | ±1.50 |
| 500-1000 | ±0.50 | ±1.50 | ±2.50 |

| 부품번호 | 번호 | 명칭 | 수량 | 재료 | 비고 |
|----------|---------|-----------|----------|----------|---------|
| Part No. | No. | Part Name | Q'ty | Material | Remarks |
| | | | | | |
| SWMM | CHECKED | CHECKED | APPROVED | DATE | TITLE |
| | | | | | |
| | | | SIZE | MM | |
| | | | TYPE | A1 | |
| | | | DATE | | |
| | | | DWG No. | | |