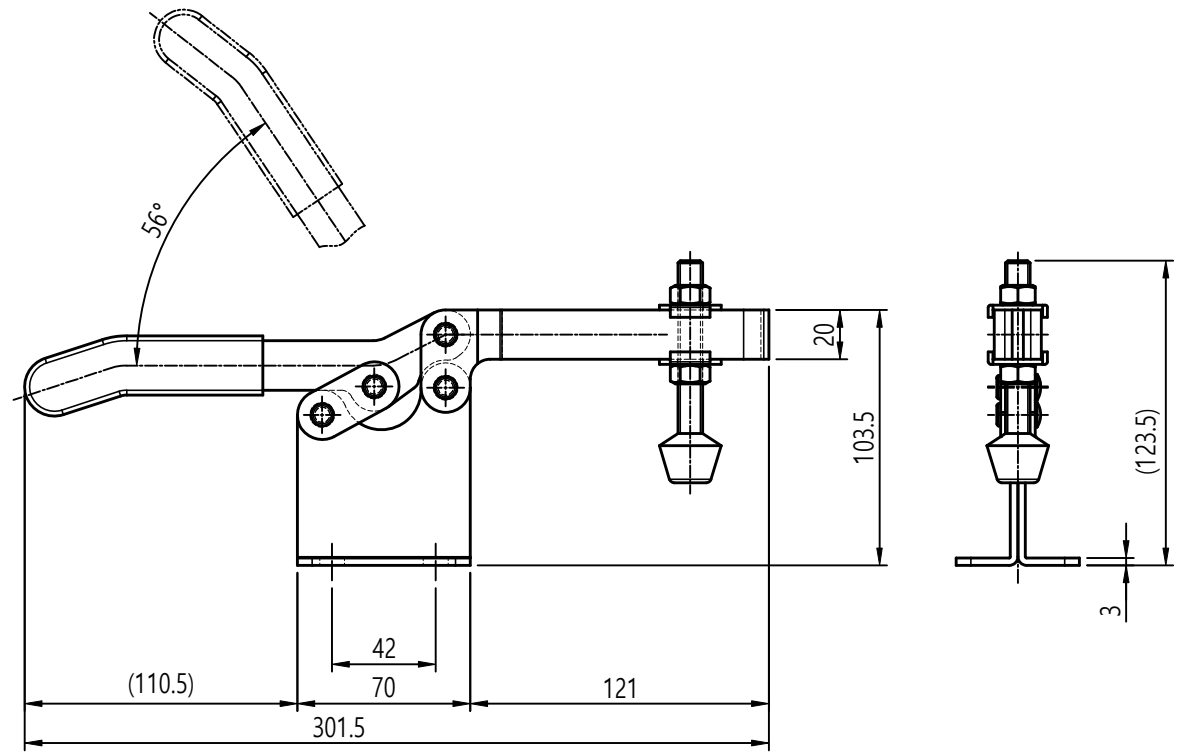
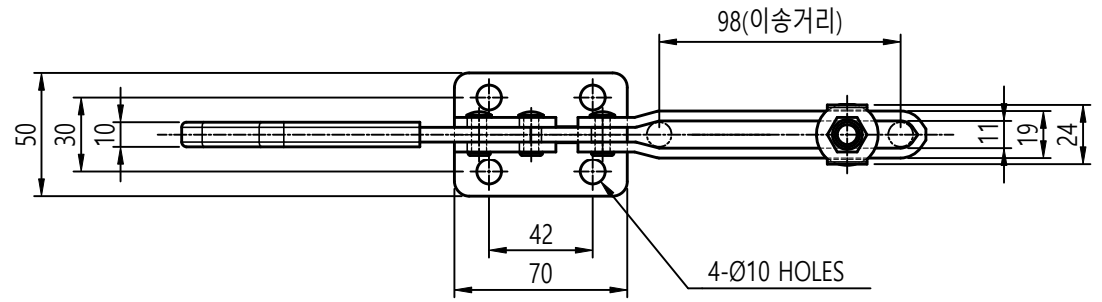


MARK	DATE	DETAIL OF REVISION	CHECK	APP.
△				

SLW040-24F



GENERAL TOLERANCE

수량	公差	A LEVEL	B LEVEL	C LEVEL
1-4	±0.07	±0.10	±0.20	±0.30
4-6	±0.07	±0.20	±0.30	±0.50
16-63	±0.10	±0.30	±0.50	±1.00
63-250	±0.15	±0.55	±1.00	±2.00
250-500	±0.30	±0.90	±1.50	±3.00
500-1000	±0.50	±1.50	±3.00	±6.00

부품번	번호	명칭	수량	재질	비고
Part No.	No.	Part Name	Q'ty	Mat.	Remarks
SWMM	CHECKED	CHECKED	APPROVED	DATE	SIGNATURE
DRAWN			TITLE		
SCALE			BLOCK No.		
DATE			DWG No.		

